

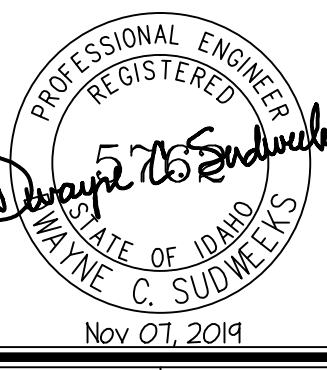


Engineered Systems Associates
Mechanical Engineers

Dwayne Sudweeks
 1355 East Center - Pocatello, Idaho 83201
 Phone: (208) 233-0501 Fax: (208) 233-0529 email: esa@engsystems.com

SUMMERFIELD CLUBHOUSE
 REXBURG, IDAHO

MECHANICAL SCHEDULES



DRWN. BY: SR
 OKD. BY: DCS
 JOB NO. 18096
 DATE: NOV. 2014

SHEET: **M-3**
 OF: THREE

ELECTRIC HEATER SCHEDULE

| SYM. | TYPE | BTU | KW | CHAR. | CONTROL | REMARKS |
|------|--------------|--------|------|----------|----------------------------------|---|
| EH-1 | WALL MOUNTED | 6,842 | 2.0 | 208/60/1 | INTEGRAL T-STAT | QMARK TYPE QMH3208 RECESSED MOUNT HEATER |
| EH-2 | WALL MOUNTED | 2,554 | 0.75 | 120/60/1 | INTEGRAL | QMARK MODEL GFR1500T2 WALL HEATER WITH RECESSED BRACKET AND INTEGRAL T-STAT |
| EH-3 | WALL MOUNTED | 10,234 | 3.0 | 208/60/3 | INTEGRAL T-STAT | QMARK MODEL MU403-4I UNIT HEATER WITH WALL MOUNTING BRACKET AND REMOTE T-STAT |
| DC-1 | DUCT MOUNTED | 85,325 | 25.0 | 208/60/3 | INTERLOCK WITH DEHUMIDIFIER DH-1 | MARKEL 8PD25-2016-3 (2 STEP) DUCT MOUNTED ELEC. COIL WITH CONTROL PANEL (OUTSIDE AIR DUCT IS 20x16) |

FURNACE AND DX COOLING COIL SCHEDULE

| SYM. | TYPE | C.F.M. | SP _e | SPEED | H.P. | CHAR. | LP GAS | | | E.A.T. | L.A.T. | GAS TYPE | DX COOLING COIL | | | PIPING SIZES | | | | REMARKS | | | |
|------|--------|--------|-----------------|--------|------|----------|---------|---------|---------|--------|--------|----------|-----------------|--------|--------|--------------|--------------------|--------------------|--------------|---------|---------|--------|--|
| | | | | | | | INPUT | OUTPUT | @ ELEV. | | | | B.T.U. | E.A.T. | L.A.T. | MAX. P.D. | LIQUID | SUCTION | PIPING SIZES | | NAT GAS | INTAKE | EXHAUST |
| F-1 | DNFLOW | 1945 | 60" | M-HIGH | 1 | 120/60/1 | 110,000 | 106,000 | 79,000 | 65°F | 105°F | NAT | 60,000 | 75°F | 55°F | .25" | SEE C. UNIT SCHED. | SEE C. UNIT SCHED. | 3/4" | 3/4" | 2" PVC | 2" PVC | LENNOX EL185UH10P60C WITH FULLY CASED R-410A DX COOLING COIL TO MATCH FURNACE & VERTICAL VENT TERMINAL ASSEMBLY. |
| F-2 | DNFLOW | 1600 | 60" | M-HIGH | 3/4 | 120/60/1 | 88,000 | 82,000 | 60,000 | 65°F | 105°F | NAT | 48,000 | 75°F | 55°F | .25" | SEE C. UNIT SCHED. | SEE C. UNIT SCHED. | 3/4" | 3/4" | 2" PVC | 2" PVC | LENNOX EL185UH04P48C WITH FULLY CASED R-410A DX COIL TO MATCH FURNACE AND VERTICAL VENT TERMINAL ASSEMBLY |
| F-3 | DNFLOW | 1000 | 60" | M-HIGH | 1/3 | 120/60/1 | 66,000 | 64,000 | 47,800 | 65°F | 105°F | NAT | 30,000 | 75°F | 55°F | .25" | SEE C. UNIT SCHED. | SEE C. UNIT SCHED. | 3/4" | 3/4" | 2" PVC | 2" PVC | LENNOX EL185UH04P36B WITH FULLY CASED R-410A DX COIL TO MATCH FURNACE AND VERTICAL VENT TERMINAL ASSEMBLY |

CONDENSING UNIT SCHEDULE

| SYM. | BTU | EAT | CHAR. | MCA | SEER | REFR. | PIPE SIZING | | REMARKS |
|------|---------|------|----------|------|------|--------|-------------|---------|--|
| | | | | | | | LIQUID | SUCTION | |
| CU-1 | 60,000 | 84°F | 208/60/3 | 21.3 | 13.0 | R-410A | 1/2" | 7/8" | LENNOX MODEL TSA-06054 WITH 0°F LOW AMBIENT HARD START KIT. |
| CU-2 | 48,000 | 84°F | 208/60/3 | 18.8 | 13.0 | R-410A | 1/2" | 7/8" | LENNOX MODEL TSA04854 WITH 0°F LOW AMBIENT HARD START KIT. |
| CU-3 | 30,000 | 84°F | 208/60/1 | 18.7 | 13.0 | R-410A | 3/8" | 5/8" | LENNOX MODEL 13ACX03654 WITH 0°F LOW AMBIENT HARD START KIT. |
| CU-4 | 134,900 | 84°F | 208/60/3 | 8.0 | 13.0 | R-410A | 1-1/8" | 1-1/8" | DECTRON MODEL NC-Z-2V-CUC-V WITH 0°F LOW AMBIENT HARD START KIT. |

EXHAUST FAN SCHEDULE

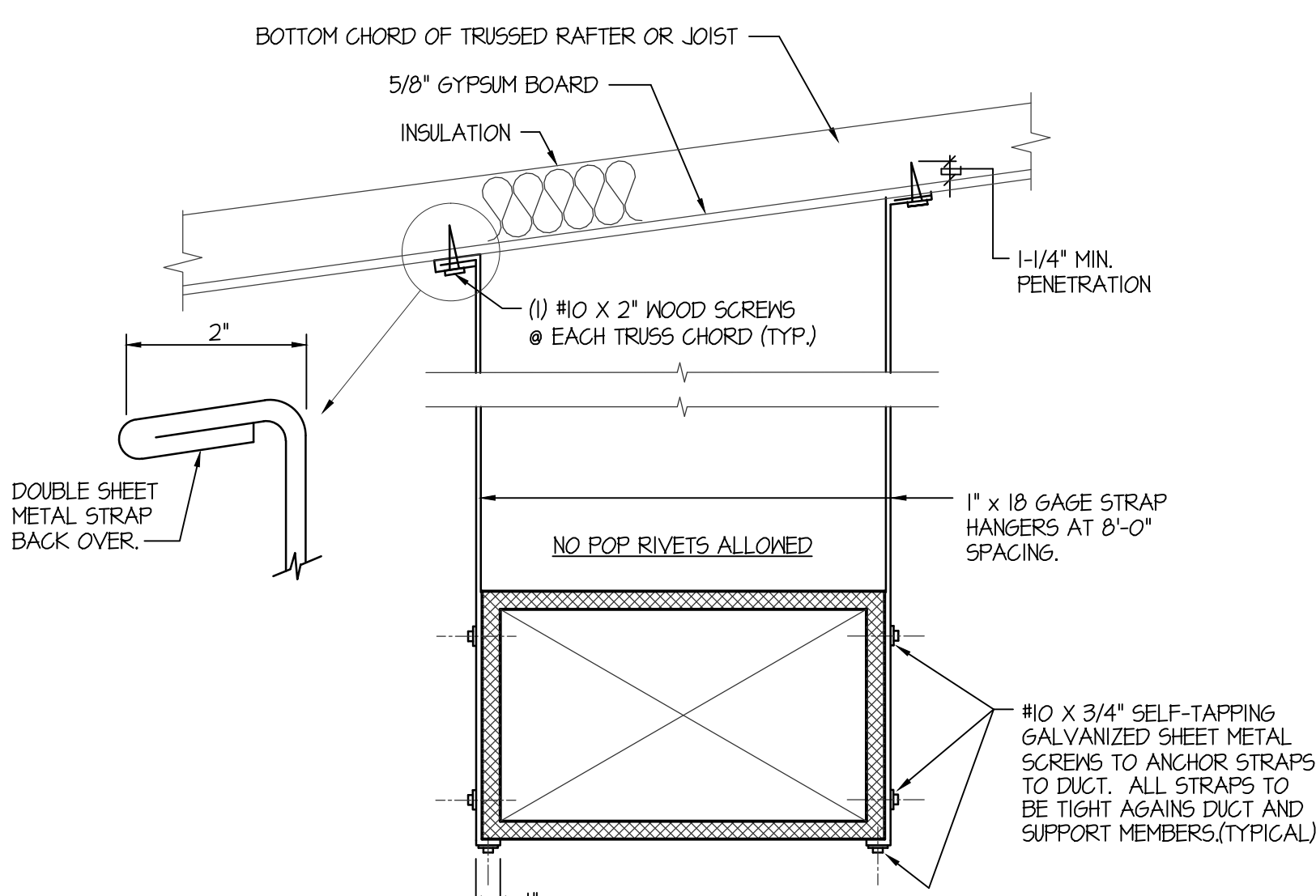
| SYM. | TYPE | C.F.M. | S.P.E. | WATTS | CHAR. | R.P.M. | CONTROL | REMARKS |
|------|-----------------|--------|--------|--------|----------|--------|----------------|--|
| EF-1 | CEILING MOUNTED | 100 | 0.25 | 100 | 120/60/1 | 750 | COOLING T-STAT | BROAN LOSONE SELECT MODEL L100 WITH BACKDRAFT DAMPER. 10x4 EXHAUST DUCT TO SOFFIT GRILLE |
| EF-2 | CEILING MOUNTED | 150 | 0.25 | 100 | 120/60/1 | 750 | occ. SENSOR | BROAN LOSONE SELECT MODEL L150 WITH BACKDRAFT DAMPER. 10x4 EXHAUST DUCT TO SOFFIT GRILLE |
| EF-3 | CEILING MOUNTED | 150 | 0.25 | 100 | 120/60/1 | 750 | occ. SENSOR | BROAN LOSONE SELECT MODEL L150 WITH BACKDRAFT DAMPER. 10x4 EXHAUST DUCT TO SOFFIT GRILLE |
| EF-4 | CEILING MOUNTED | 100 | 0.25 | 100 | 120/60/1 | 750 | TIMER | BROAN LOSONE SELECT MODEL L100 WITH BACKDRAFT DAMPER. 10x4 EXHAUST DUCT TO SOFFIT GRILLE |
| EF-5 | CEILING MOUNTED | 150 | 0.25 | 100 | 120/60/1 | 750 | occ. SENSOR | BROAN LOSONE SELECT MODEL L150 WITH BACKDRAFT DAMPER. 10x4 EXHAUST DUCT TO SOFFIT GRILLE |
| EF-6 | CEILING MOUNTED | 150 | 0.25 | 100 | 120/60/1 | 750 | occ. SENSOR | BROAN LOSONE SELECT MODEL L150 WITH BACKDRAFT DAMPER. 10x4 EXHAUST DUCT TO SOFFIT GRILLE |
| EF-7 | CEILING MOUNTED | 150 | 0.25 | 100 | 120/60/1 | 750 | WALL SWITCH | BROAN LOSONE SELECT MODEL L150 WITH BACKDRAFT DAMPER. 10x4 EXHAUST DUCT TO SOFFIT GRILLE |
| EF-8 | WALL MOUNTED | 3000 | 0.5 | 1 H.P. | 208/60/1 | 1750 | WALL SWITCH | TWIN CITY MODEL 140B BC94 WITH WALL MOUNTING BRACKET |
| EF-9 | CEILING MOUNTED | 200 | 0.25 | 100 | 120/60/1 | 750 | WALL SWITCH | BROAN LOSONE SELECT MODEL L200 WITH BACKDRAFT DAMPER. 10x4 EXHAUST DUCT TO SOFFIT GRILLE |

DEHUMIDIFICATION AIR HANDLER SCHEDULE

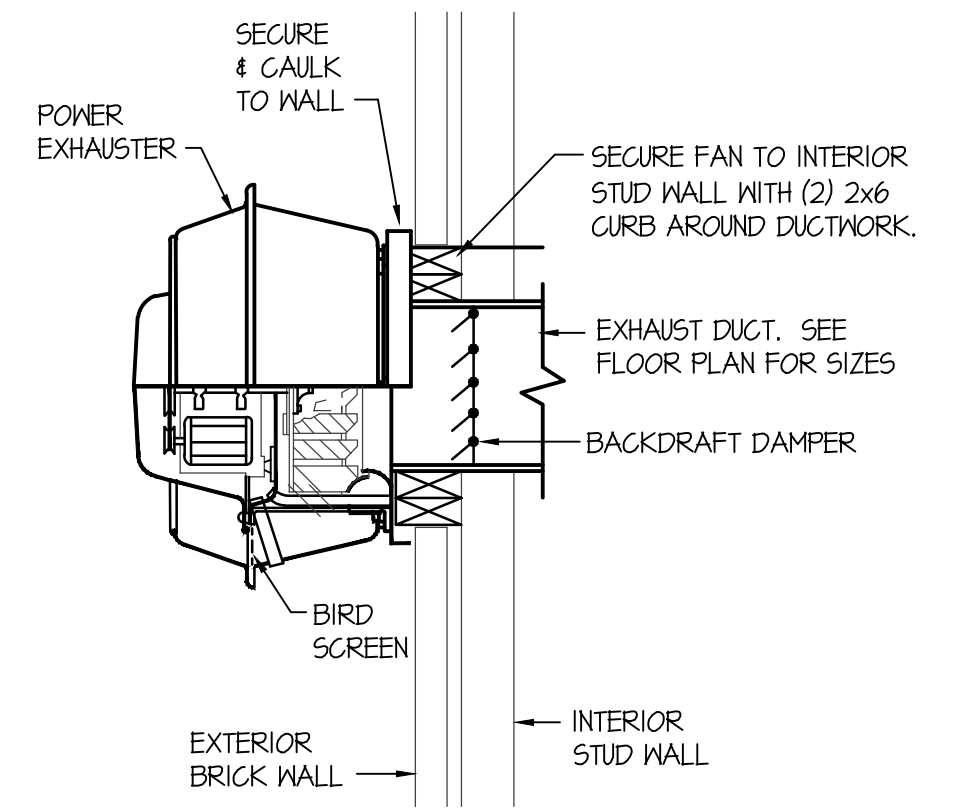
| SYM. | TYPE | C.F.M. | SP _e | H.P. | MCA | CHAR. | ELEC. HEATER | MOISTURE REMOVAL CAPACITY | DX COOLING COIL | | | PIPING SIZES | | REMARKS | | |
|------|-------|--------|-----------------|-----------|-----|----------|--------------|---------------------------|-----------------|--------|--------|--------------|--------------------|--------------------|---------|--|
| | | | | | | | | | B.T.U. | E.A.T. | L.A.T. | MAX. P.D. | LIQUID | | SUCTION | C.D. |
| DH-1 | VERT. | 5600 | 1.0" | (2) @ 2.2 | 232 | 208/60/3 | 60 KW | 50.6 LBS/HR. | 139,400 | 82°F | 64°F | .25" | SEE C. UNIT SCHED. | SEE C. UNIT SCHED. | 1-1/2" | DECTRON MODEL DS-060-NV-1-A3NT1562E0C4AEB WITH 2" MERV 8 ANTIMICROBIAL RETURN AIR FILTER, 2" MERV 2 OUTSIDE AIR FILTERS. |

GRILLE AND REGISTER SCHEDULE

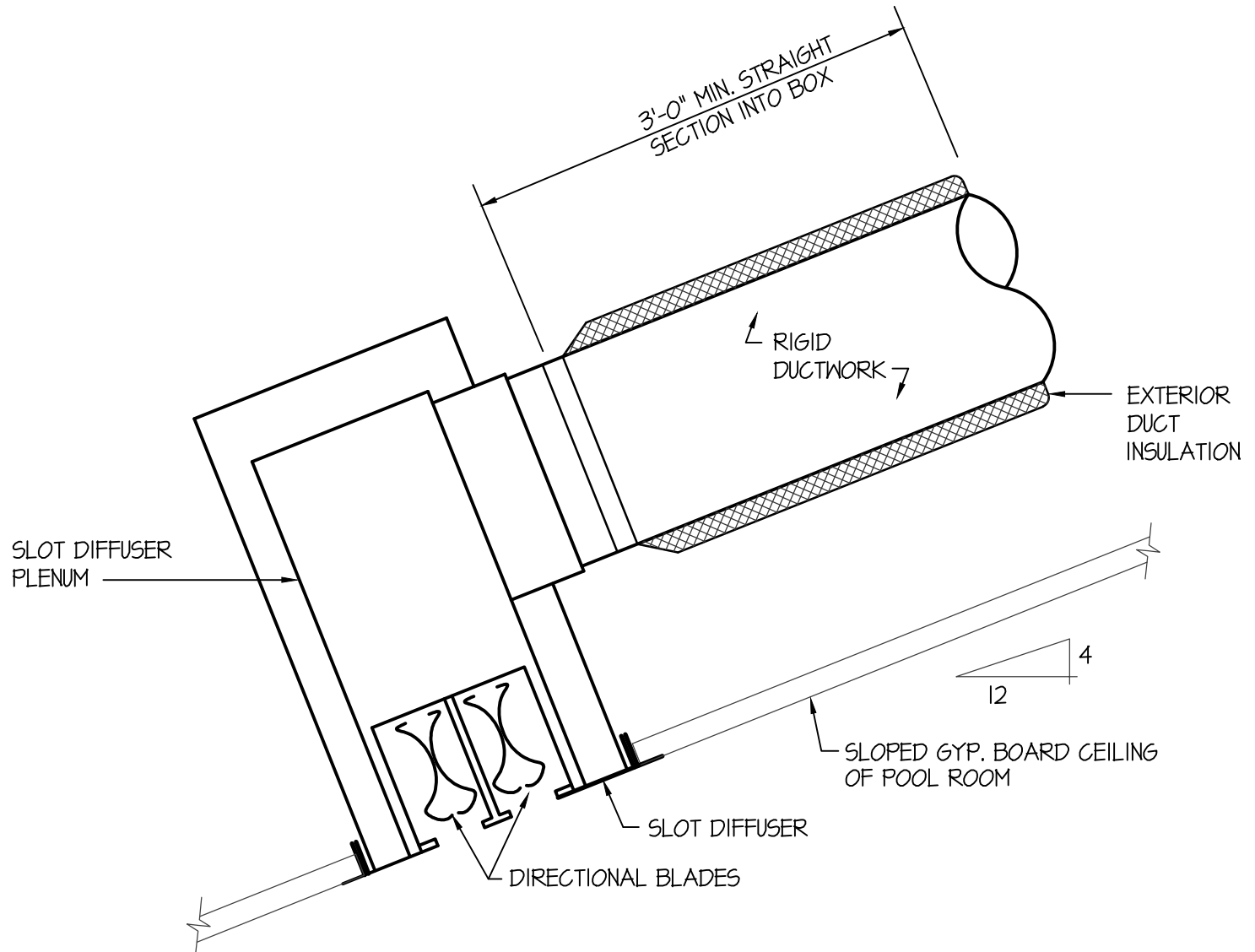
| SYM. | TYPE | SIZE | CFM RANGE | THROW PATTERN | CONSTR. | FINISH | BALANCING DAMPER | FIRE DAMPER | REMARKS |
|------------|-----------------|-----------------|-----------|---------------|---------|----------------|------------------|-------------|---|
| FR-1 (CFM) | FLOOR REGISTER | 14x6 | 100-285 | NA | ALUM. | ALUM. | YES | NA | PRICE MODEL LBPH WITH BALANCING DAMPER |
| S-1 (CFM) | SIDEWALL | 10x4 | 75-150 | NA | STEEL | WHITE | NA | NA | PRICE MODEL 520 D WITH FLANGE FRAME |
| SD-1 (CFM) | SLOT | 4'-0" x 2' SLOT | 400-500 | NA | ALUM. | ALUM. | NA | NA | PRICE MODEL SD5 WITH PLENUM |
| EG-1 (CFM) | EXHAUST GRILLE | 20x20 | 700-1000 | NA | ALUM. | WHITE | NA | NA | PRICE MODEL 635 |
| TG-1 | TRANSFER GRILLE | 12x8 | 100-200 | NA | STEEL | WHITE | NA | NA | PRICE MODEL 535 |
| SG-1 | SOFFIT | 10x10 | 100-300 | NA | STEEL | MATCH SOFFIT | NA | NA | PRICE MODEL 635 |
| R-1 | CEILING | 10x10 | 100-300 | NA | STEEL | WHITE | NA | NA | PRICE MODEL 535 |
| R-2 | CEILING | 20x20 | 700-1000 | NA | STEEL | WHITE | NA | NA | PRICE MODEL 535 |
| R-3 | LOW SIDEWALL | 60x30 | 5600 | NA | ALUM. | WHITE | NA | NA | PRICE MODEL 47 |
| QL-1 | INTAKE LOUVER | 30x24 | 1900-2000 | NA | ALUM. | COLOR BY ARCH. | NA | NA | AMERICAN WARMING LE-31 WITH INSECT SCREEN |
| EL-1 | EXHAUST LOUVER | 28x28 | 3000 | NA | ALUM. | COLOR BY ARCH. | NA | NA | AMERICAN WARMING LE-64BD WITH INSECT SCREEN |



DUCT STRAP HANGER DETAIL
 NO SCALE



SIDEWALL EXHAUST FAN DETAIL
 NO SCALE



TYPICAL SLOT DIFFUSER DETAIL
 NO SCALE

F:\18096 SUMMERFIELD CLUBHOUSE\18096 M-3.dwg Nov 07, 2014 - 4:50am